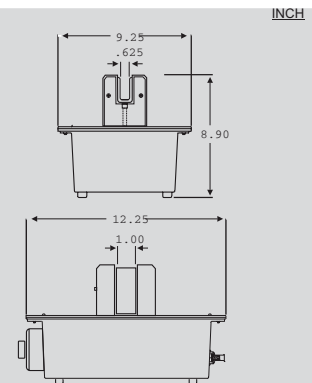
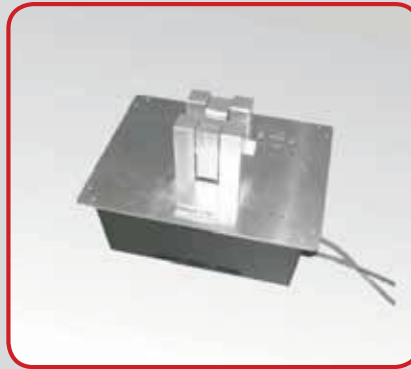


HEAT SHRINK PROCESSING MACHINES THAT USE HALOGEN LIGHT SOURCE

FOCUS-LITE 10

Specifications

Shrink Length: up to 1.0"
 Largest Work Piece Diameter: 5/8"
Includes: Dimmer Switch, Adjustable Timer, Glare Shield, 6' power cord w/GFCI
 Activation: Foot pedal
 Energy Used: 146 watts (avg.) / 125VAC
 Bulb: Commercial quality Quartz Halogen
 Avg. Shrink Time: 2-4 Seconds (polyolefin)
 Ship Weight: 20lbs.

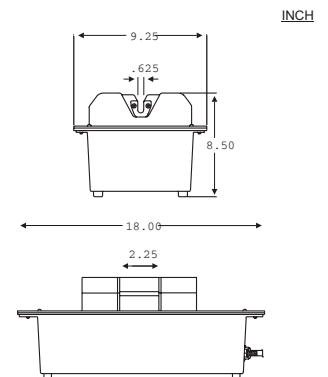
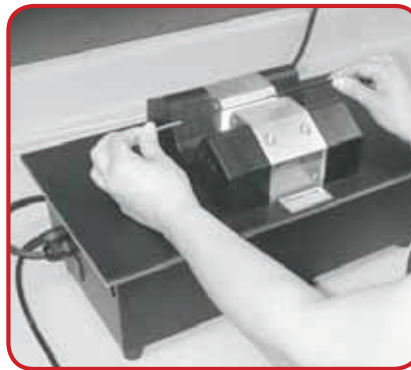


Contact factory or exact dimensions and specifications.

FOCUS-LITE™30

Specifications

Shrink Length: up to 2.25"
 Largest Work Piece Diameter: 5/8"
Includes: Dimmer Switch, Adjustable Timer, Glare Shield, 6' power cord w/GFCI
 Activation: Foot pedal
 Energy Used: 146 watts (avg.) / 125VAC
 Bulb: Commercial quality Quartz Halogen
 Avg. Shrink Time: 2-4 Seconds (polyolefin)
 Ship Weight: 40lbs.

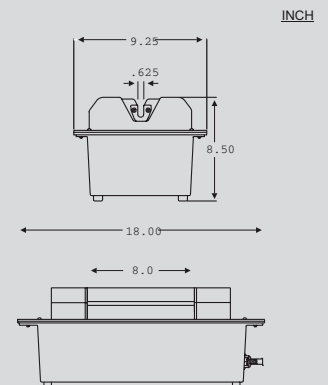
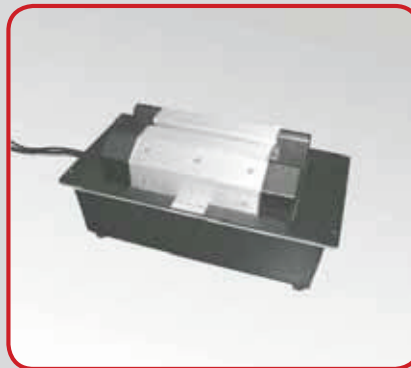


Contact factory or exact dimensions and specifications.

FOCUS-LITE™80

Specifications

Shrink Length: up to 8.0"
 Largest Work Piece Diameter: 5/8"
Includes: Dimmer Switch, Adjustable Timer, Glare Shield, 6' power cord w/GFCI
 Activation: Foot pedal
 Energy Used: 300 watts (avg.) / 125VAC
 Bulb: Commercial quality Quartz Halogen
 Avg. Shrink Time: 2-4 Seconds (polyolefin)
 Ship Weight: 40lbs.

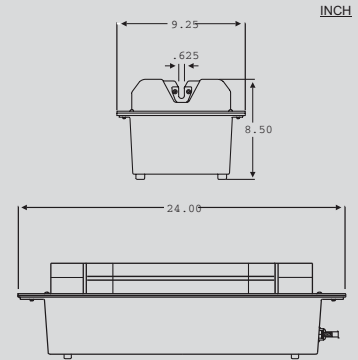


Contact factory or exact dimensions and specifications.

FOCUS-LITE™ 160

Specifications

Shrink Length: From 1.0" - 16.0"
 Largest Work Piece Diameter: 5/8"
 Includes: Dimmer Switch, Adjustable
 Timer, Glare Shield, 6' power cord w/GFCI
 Activation: Foot pedal
 Energy Used: 146 watts (avg.) / 125VAC
 Bulb: Commercial quality Quartz Halogen
 Avg. Shrink Time: 2-4 Seconds (polyolefin)
 Ship Weight: 25lbs. to 40lbs.

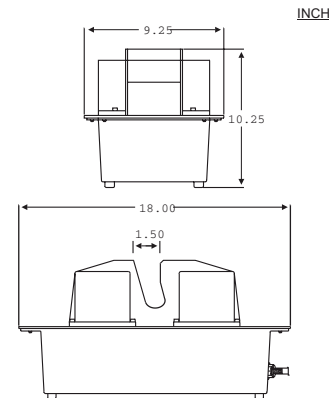
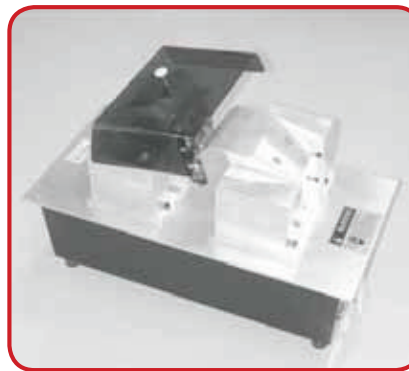


Contact factory or exact dimensions and specifications.

FOCUS-LITE™ G2

Specifications

Shrink Length: up to 3.0"
 Largest Work Piece Diameter: 1.5"
 Includes: Dimmer Switch, Adjustable Timer,
 Glare Shield, 6' power cord w/GFCI
 Activation: Foot pedal
 Energy Used: 300 watts (avg.) / 125VAC
 Bulb: Commercial quality Quartz Halogen
 Avg. Shrink Time: 2-4 Seconds (polyolefin)
 Ship Weight: 40lbs.

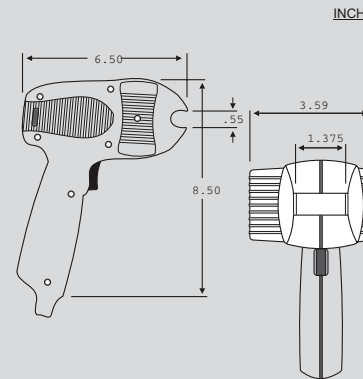


Contact factory or exact dimensions and specifications.

**FOCUS-LITE G3
 - HAND HELD**

Specifications

Shrink Length: up to 1.375"
 Largest Work Piece Diameter: 5/8"
 Includes: Dimmer Switch, Adjustable Timer,
 6' power cord w/GFCI
 Activation: Trigger switch
 Energy Used: 120 watts (avg.) / 125VAC
 Bulb: Commercial quality Quartz Halogen
 Avg. Shrink Time: 2-4 Seconds (polyolefin)
 Ship Weight: 4lbs.



Contact factory or exact dimensions and specifications.